



指ZHIMING® Tel: 86-577-62870600 / E-mail: wangdewey80@yahoo.com [http:// www.chinameter.cc](http://www.chinameter.cc)

DD17 single phase kwh meter (russian)



Type DD17 meter is applicable for single phase active energy measurement. It is designed to meet IEC60521 standard for indoor and outdoor installation.

1.1 Base: weather proof steel sheet

1.2 Meter cover:

Meter cover is made of ABS material, flame resistant, in black color, with glass window.

Meter cover can also be made of transparent glass, weather proof. transparent ABS

1.3 Terminal block

The terminal block is made of phenolic resin, flame resistant, in black color. Voltage link can be inside the meter base or outside the meter base.

Terminals are made of brass having two screws for tightening the external cables.

1.4 Terminal block cover

ABS cover ,big metal cover ,Extended steel cover-rubber underside the cover ensures insulation between the cover and the terminal block. Access is available at each side of the terminal cover for external cables.

2. Driving element Current electromagnet

The overload compensating set mounted on the laminated silicon-steel core assures the excellent load curve performance. Voltage electromagnet The design of voltage electromagnet permits to withstand the impulse voltage of 6kV.

3. Braking element

Braking element is made of mono pole magnet. Its adjustment range conforms to requirements of IEC62053-21

4. Frame

The meter frame is made of aluminum alloy with sufficient strength. It is painted for effective protection against corrosion.

5. Moving element



TEL: 86-577-62870600 / E-mail: wangdewey80@yahoo.com [http:// www.chinameter.cc](http://www.chinameter.cc)

Worm gear on the rotor shaft is made of brass or optionally plastic one.

Anti-creeping pin is fitted to the rotor shaft to prevent running with no-load.

Anti-reverse device can be mounted in the meter if it is required.

Upper bearing

With excellent friction resistant property, the upper bearing pin is of polished stainless steel to guide the rotating of the disc.

Lower bearing(optional)

Double jewel bearing, Magnetic bearing with metal enclosure

Magnetic bearing with transparent enclosure-the bearing enclosure is made of transparent polycarbonate.

6. Register

The register is of cyclometer type, with frame made of aluminum alloy. Digit drums are made of polycarbonate, UV radiation resistant. The register is fixed on the meter frame by two screws. It is adjustable to assure good mesh of worm with the rotor shaft. Unidirectional register is available.

7. Name plate

Printing ink used for name plate is UV radiation resistant one.

8. Sealing

Meter cover and terminal cover can be sealed separately. Seal and sealing wire can be made according to requirements of customers.

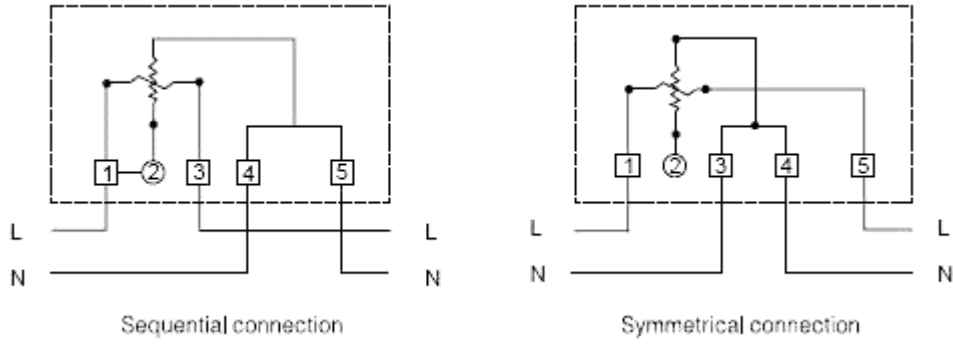
Technical Parameter

1	Basic current(Ib) A	5 20 30 40
2	Maximum current(I _{max}) A	6 40 60 80
3	Overload capacity	120% 200%
4	Reference voltage Un	110V、120V、220V、230V、240V
5	Reference frequency fn	50Hz,60Hz
6	Power loss in voltage circuit	50Hz: ≤1.3W/6VA 60Hz: ≤1.1W/5.5VA
7	Power loss in current circuit	≤0.6VA
8	Running with no-load	0.8~1.1Un
9	Starting current	0.5%Ib
10	AC voltage test 50Hz,1mm	6kV
11	Impulse voltage test 1.2/50μs	6kV
12	Rotor speed At Ib	22r/min
13	Basic torque at Ib	4×10 ⁻⁴ N·m
14	Weight of disc	21g
15	Weight of meter	1.6kg
16	Accuracy	Class2



指ZHIMING® Tel: 86-577-62870600 / E-mail: wangdewey80@yahoo.com [http:// www.chinameter.cc](http://www.chinameter.cc)

Connections



Mount dimension

