



指ZHIMING明 Tel: 86-577-62870600 / E-mail: wangdewey80@yahoo.com [http:// www.chinameter.cc](http://www.chinameter.cc)

DDS450 single phase kwh meter



DDS450 single-phase static watt-hour meter is designed for measuring active energy in single-phase alternating current power grids by connecting up resident power supply system.,It complies with the standard IEC 61036 and has high measurement accuracy. The meter is ISO9001 certified and the design can be tailored to different customer requirements.

The meter has high reliability and long service life by adopting large-scale integration (LSI) and surface mounting technology(SMT) as well as international brand and long-life key components.

The meter is provided with pulse output, which makes remote control and locale consumption monitor possible. The is a safe and optimized solution designed for the needs of deregulated energy market and automatic meter reading.

Basic functions

Energy display by register or LCD

Bi-directional active energy measurement

Operation indicated by pulse LED

So output with optical isolated output transistor corresponding to DIN 43864

Optional functions

Reverse indicator: An LED indicator will be on when the current is reversed

Anti-tamper in condition that load is connected between the line and the earth

Entirely closed register

HF magnet immune register

Reversal preventing register

Transformer connection



TEL: 86-577-62870600 / E-mail: wangdewey80@yahoo.com [http:// www.chinameter.cc](http://www.chinameter.cc)

Technical data

Applicable standard	Service lifetime	Accuracy class	Working temperature	Working voltage range	Power consumption	Over Voltage protection
IEC 61036-2000	10 years	Class1, Class2	-30°C~+65°C	0.7~1.2Un	Less than 0.7W or 6VA	12kV

Specifications

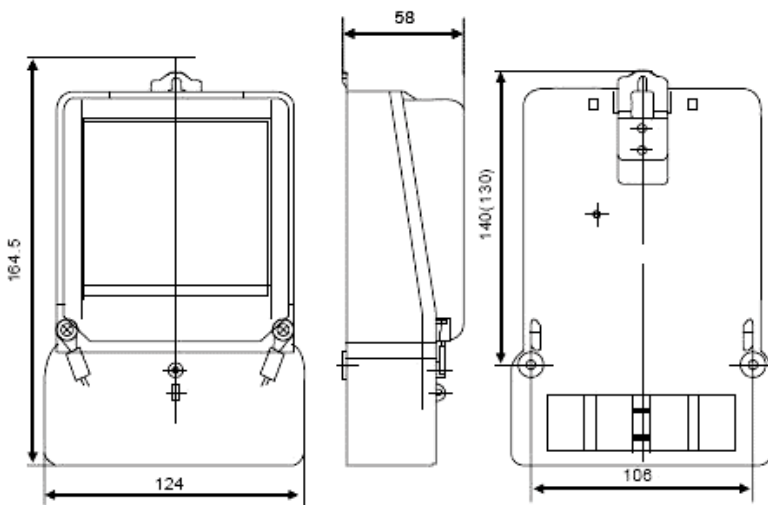
Rated Voltage	110V,120V,220V,230V,240V			
Reference frequency	50Hz or 60Hz			
Basic Current(Maximum Current) A	2.5(10)	5(20)	10(40)	20(80)
	2.5(15)	5(30)	10(60)	10(100)

Note:

Other voltages between 100 and 500V are also available. Other currents up to 100A are also Available.

Structures:

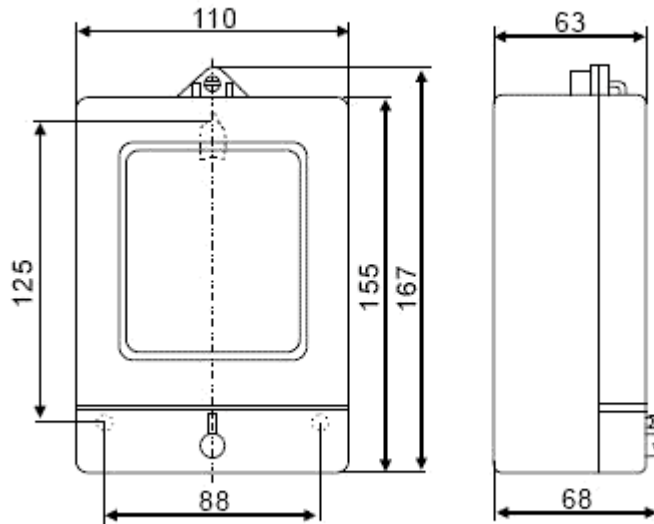
There are two types of structures as follows, which meet the standard IEC62053-21, IEC62052-21 respectively to satisfy customer requirement.



The outline and installation sizes meet the BS standard

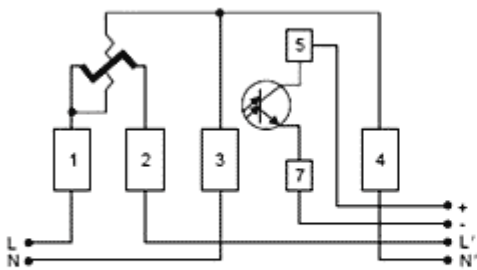


指ZHIMING明 Tel: 86-577-62870600 / E-mail: wangdewey80@yahoo.com [http:// www.chinameter.cc](http://www.chinameter.cc)

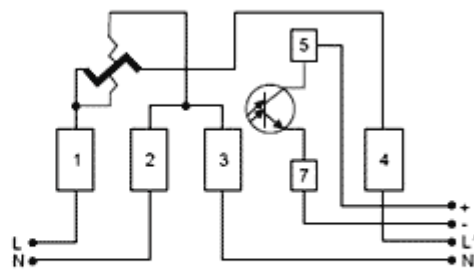


Connection

Both symmetrical connection and sequential connection are available. Connection diagrams are as follows:



Sequential connection diagram



Symmetrical connection diagram