



指ZHIMING明 Tel: 86-577-62870600 / E-mail: [wangdewey80@yahoo.com](mailto:wangdewey80@yahoo.com) [http:// www.chinameter.cc](http://www.chinameter.cc)

## DT862 Three phase kwh meter



Type DD862 meter is applicable for single phase active energy measurement. It is designed to meet IEC60521 standard for indoor and outdoor installation.

**1.1 Base:** weather proof steel sheet

**1.2 Meter cover:**

Meter cover is made of ABS material, flame resistant, in black color, with glass window.

Meter cover can also be made of transparent glass, weather proof. transparent ABS

**1.3 Terminal block**

The terminal block is made of phenolic resin, flame resistant, in black color. Voltage link can be inside the meter base or outside the meter base.

Terminals are made of brass having two screws for tightening the external cables.

**1.4 Terminal block cover**

ABS cover ,big metal cover ,Extended steel cover-rubber underside the cover ensures insulation between the cover and the terminal block. Access is available at each side of the terminal cover for external cables.

**2. Driving element Current electromagnet**

The overload compensating set mounted on the laminated silicon-steel core assures the excellent load curve performance. Voltage electromagnet The design of voltage electromagnet permits to withstand the impulse voltage of 6kV.

**3. Braking element**

Braking element is made of mono pole magnet. Its adjustment range conforms to requirements of IEC62053-21

**4. Frame**

The meter frame is made of aluminum alloy with sufficient strength. It is painted for effective protection against corrosion.

**5. Moving element**

Worm gear on the rotor shaft is made of brass or optionally plastic one.

Anti-creeping pin is fitted to the rotor shaft to prevent running with no-load.

Anti-reverse device can be mounted in the meter if it is required.

**Upper bearing**

With excellent friction resistant property, the upper bearing pin is of polished stainless steel to guide the rotating of



TEL: 86-577-62870600 / E-mail: [wangdewey80@yahoo.com](mailto:wangdewey80@yahoo.com) [http:// www.chinameter.cc](http://www.chinameter.cc)

the disc.

### Lower bearing(optional)

Double jewel bearing, Magnetic bearing with metal enclosure

Magnetic bearing with transparent enclosure-the bearing enclosure is made of transparent polycarbonate.

### 6. Register

The register is of cyclometer type, with frame made of aluminum alloy. Digit drums are made of polycarbonate, UV radiation resistant. The register is fixed on the meter frame by two screws. It is adjustable to assure good mesh of worm with the rotor shaft. Unidirectional register is available.

### 7. Name plate

Printing ink used for name plate is UV radiation resistant one.

### 8. Sealing

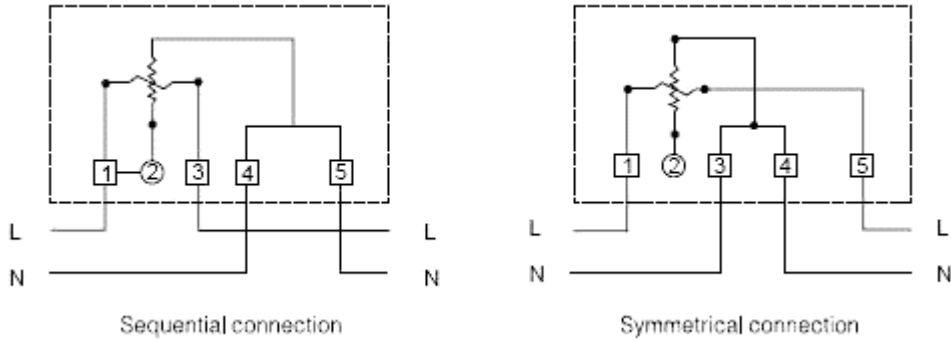
Meter cover and terminal cover can be sealed separately. Seal and sealing wire can be made according to requirements of customers.

### Technical Parameter

1	Meter type	DT862
2	Applicable Standards	IEC60521
3	Accuracy class (according to IEC 60521)	CT operated: Class 2
4	Average service life (MTTF)	15 years
5	Basic current (Ib) A	1.5 3 2.5 5 10 15 20 30
6	Maximum current (Imax) A	6 6 10 20 40 60 80 100
7	Rating current of transformer In	5A Direct connection
8	Reference voltage Un	3×57.7/100V,3×220/380V 3×230/400V,3×240/415V
9	Reference frequency fn	50Hz,60Hz
10	Power losses in voltage circuit at 50Hz Un	1.0W/5VA
11	Power losses in current circuit at 50Hz Un Ib	<0.5VA
12	Non-running with no-load	0.8~1.1Un
13	Starting current	0.5%Ib
14	Mean temperature coefficient: From 0.1Ib To Imax at unity PF From 0.2Ib to Imax at unity 0.5 lagging	<0.08%/°C <0.12%/°C
15	Insulation level: Withstand A. C. Voltage for 50Hz, 1min Withstand impulse voltage 1.2/50µs	>2kV(when Bakelite base>4kV) >6KV(when Bakelite base>8kV)
16	Rated load torque at unity PF, Ib	>800µMn
17	Weight of rotor	54g
18	Weight of meter	≈3.5kg
19	Meter base	Steel, Bakelite
20	Meter cover	ABS, transparent PC, Bakelite
21	Terminal cover	ABS, Bakelite, PC
22	Register	Cyclometer single, Unidirectional
23	Option	Reverse running stopper



### Connections



### Mount dimension

